

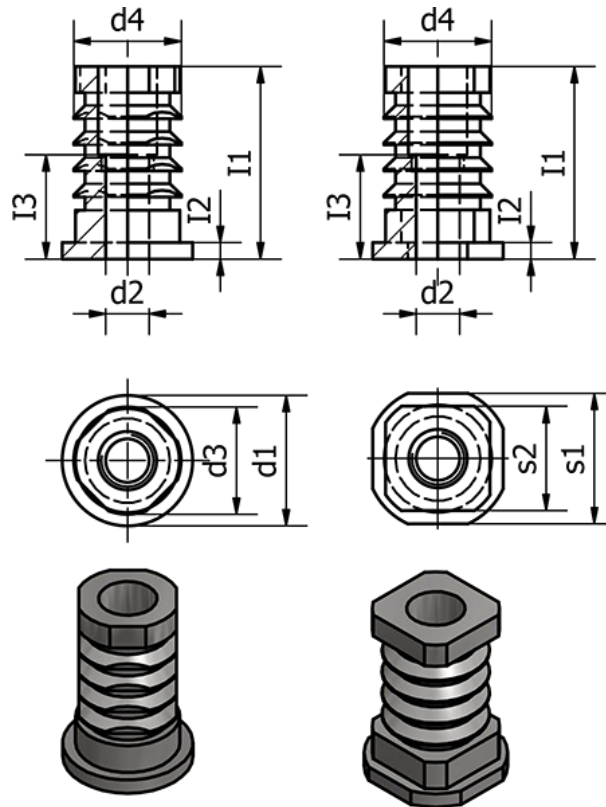
# Data Sheet



Article number: 209925V40M12

Description: E+G Threaded end-caps - GN 992.5-V40-M12

## Measures



d1 =	s2 = 34
d2 = M12	Weight (g) = 219
d3 =	
d4 = 34.5	
I1 = 33.5	
I2 = 2.5	
I3 = 24	
s1 = 40	